

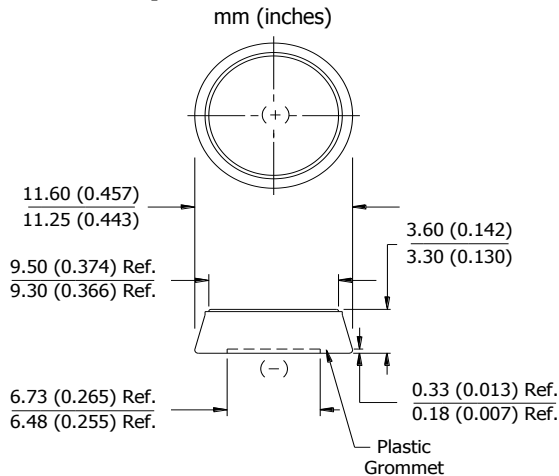
**ENERGIZER 387S**

**ZEROMERCURY**

**SILVER OXIDE**



**Industry Standard Dimensions**



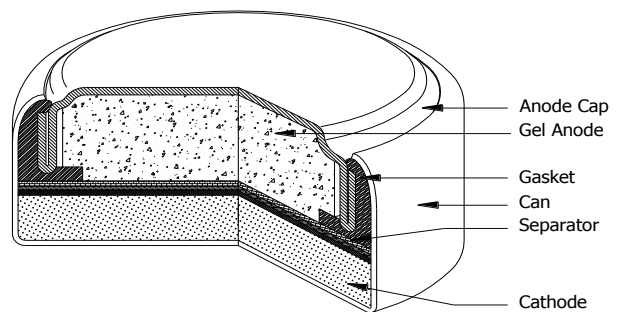
DESIGNED FOR USE ON CONTINUOUS LOW DRAIN

**Specifications**

<b>Chemical System:</b>	Silver Oxide (Zn/Ag <sub>2</sub> O)
<b>Designation:</b>	IEC-SR42
<b>Nominal Voltage:</b>	1.55 Volts
<b>Typical Capacity:</b>	63 mAh* (to 1.2 volts)
<b>Capacity Test:</b>	15K ohm continuous drain at 21°C
<b>Typical Weight:</b>	1.1 grams (0.35 oz.)
<b>Typical Volume:</b>	0.25 cubic centimeters (0.02 cubic inch)
<b>Impedance (40 Hz):</b>	7 to 17 ohms

\* Varies according to the applied load, temperature, and cutoff voltage.

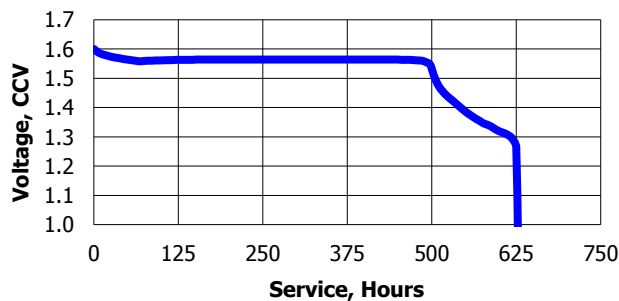
**Cross Section**



**Typical Discharge Characteristics**

Typical Performance at 21°C (70°F)

**Schedule:** Continuous  
**Typical Drain @1.51V:**  
0.101 milliamperes  
**Load:** 15K ohm

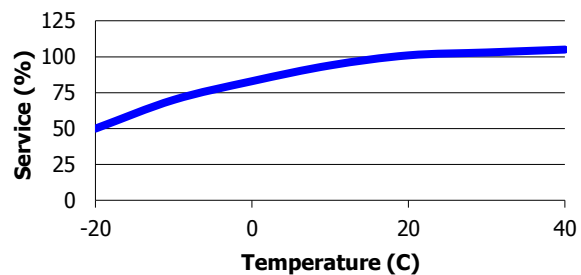


<b>Schedule</b>	<b>Typical Drains</b> at 1.51V (milliamperes)	<b>Load</b> (ohm)	<b>Cutoff</b> 1.2V (hours)
Continuous	0.101	15K	625

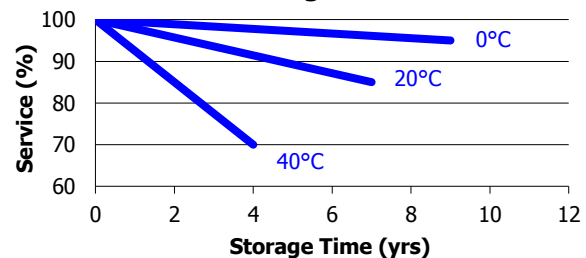
**Temperature Characteristics**

Typical Performance at Low Discharge Rates

**Service Effects**



**Storage Effects**



**Important Notice**

This datasheet contains typical information specific to products manufactured at the time of its publication.  
©Energizer Holdings, Inc. - Contents herein do not constitute a warranty.