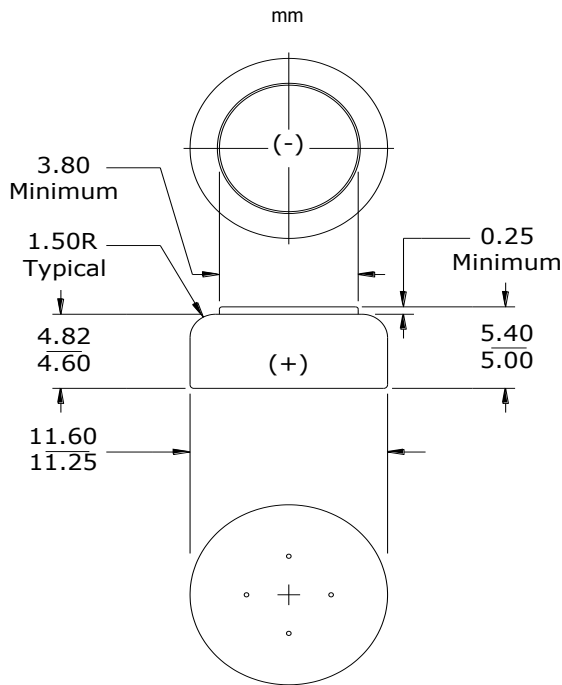


Energizer 675 size - **Mercury Free**

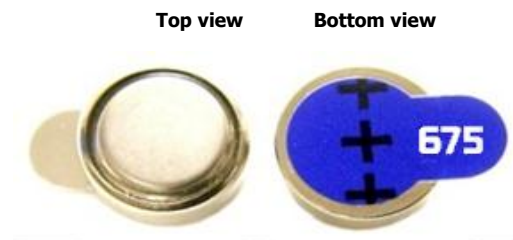
ZnAir

Industry Standard Dimensions



Specifications

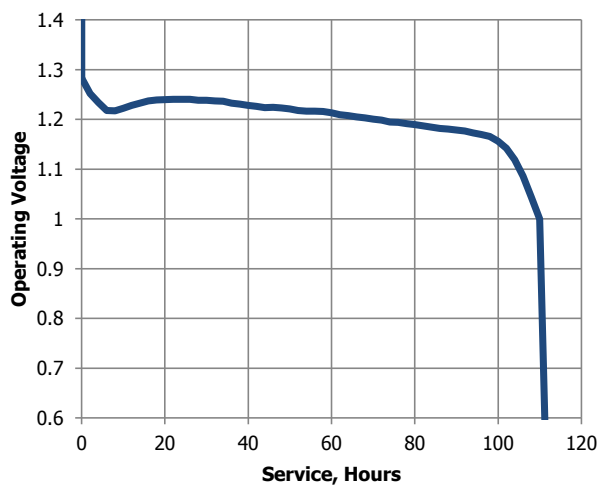
- Chemical System:** Zinc Air (Zn/O₂)
- Tab Color:** Blue
- Designation:** ANSI-7003ZD, IEC-PR44
- Nominal Voltage:** 1.4 Volts
- Typical Capacity:** 620 mAh (to 0.9 volts)
(Rated at 625 ohms at 21°C/50% RH)
- Typical Weight:** 1.9 grams
- Typical Volume:** 0.5 cubic centimeters



(Image not to scale)

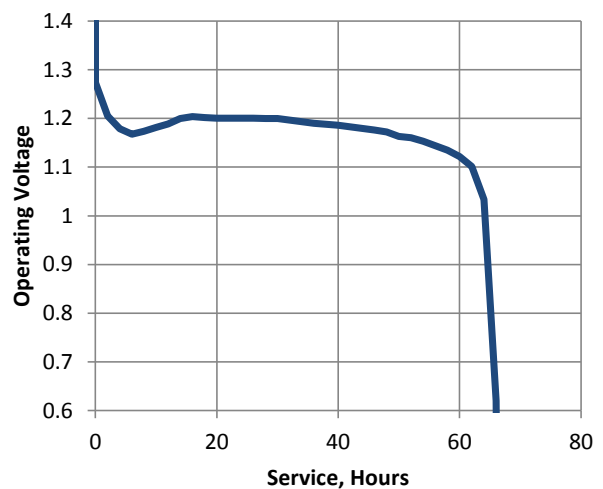
Typical Discharge Characteristics

IEC Industry Standards / Standard Test Protocol
(15/5 mA .1S/1H59M 59.9S 12H at 21C)



Typical Discharge Characteristics

IEC Industry Standards / High Drain Test Protocol
(24/8 mA .1S/1H59M 59.9S 12H at 21C)



Important Notice

This data sheet contains typical information specific to products manufactured at the time of its publication. Physical values are for reference purposes and not intended for specific calculations.
©Energizer Holdings, Inc. - Contents herein do not constitute a warranty.