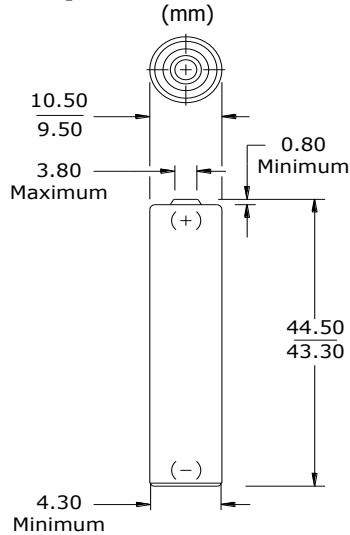


**AAA**

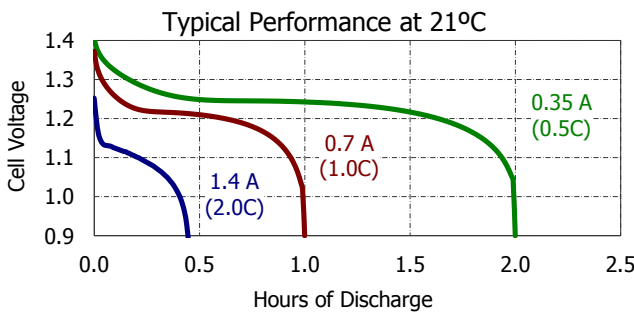
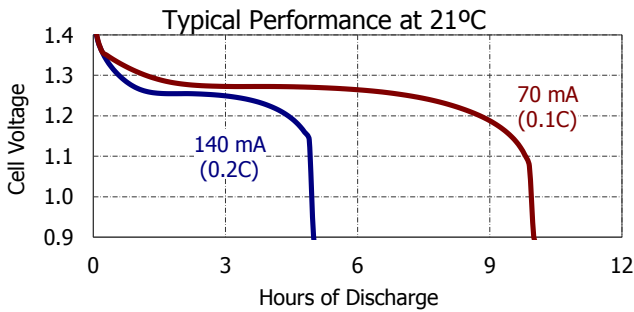
Rechargeable AAA-700 (HR03)



**Industry Standard Dimensions**



**Typical Discharge Characteristics**



**Specifications**

**Classification:** ACCU Recharge  
**Chemical System:** Nickel-Metal Hydride (NiMH)  
**Designation:** IEC-HR03  
**Nominal Voltage:** 1.2 Volts  
**Rated Capacity:** 700 mAh (to 1.0 volts)  
 Based on 140 mA (0.2C) discharge rate  
**Typical Weight:** 12.0 grams  
**Typical Volume:** 3.8 cubic centimeters  
**Jacket:** Plastic Label

**Internal Resistance:**

The internal resistance of the cell varies with state of charge, as follows:

Cell Charged	Cell 1/2 Discharged
100 milliohms	120 milliohms
(tolerance of ±20% applies to above values)	

**AC Impedance (No Load):**

The impedance of the charged cell varies with frequency, as follows:

Frequency (Hz)	Impedance (milliohms) (Charged Cell)
1000	35

Above values based on AC current set at 1.0 ampere. Value tolerances are ±20%.

**Operating and Storage Temperatures:**

To maintain maximum performance, observe the following general guidelines regarding environmental conditions.

- Charge: 0°C to 40°C
- Discharge: 0°C to 50°C
- Storage: -20°C to 30°C
- Humidity: 65±20%

Operating at extreme temperatures, will significantly impact battery cycle life.

**Important Notice**

This datasheet contains information specific to battery chargers manufactured at the time of its publication.  
 ©Energizer Holdings, Inc. - Contents herein do not constitute a warranty.